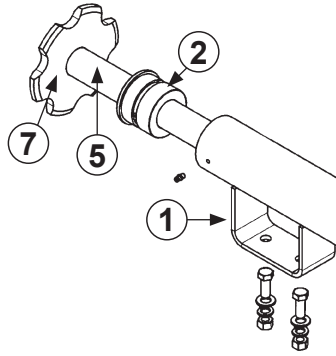


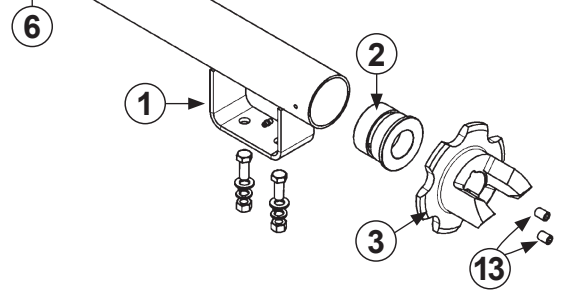
# FEEDER LEADER BOSS II & BOSS II FEEDLOT PARTS LIST

Parts for The Boss II (pictured) and Boss Feedlot II range are the same.

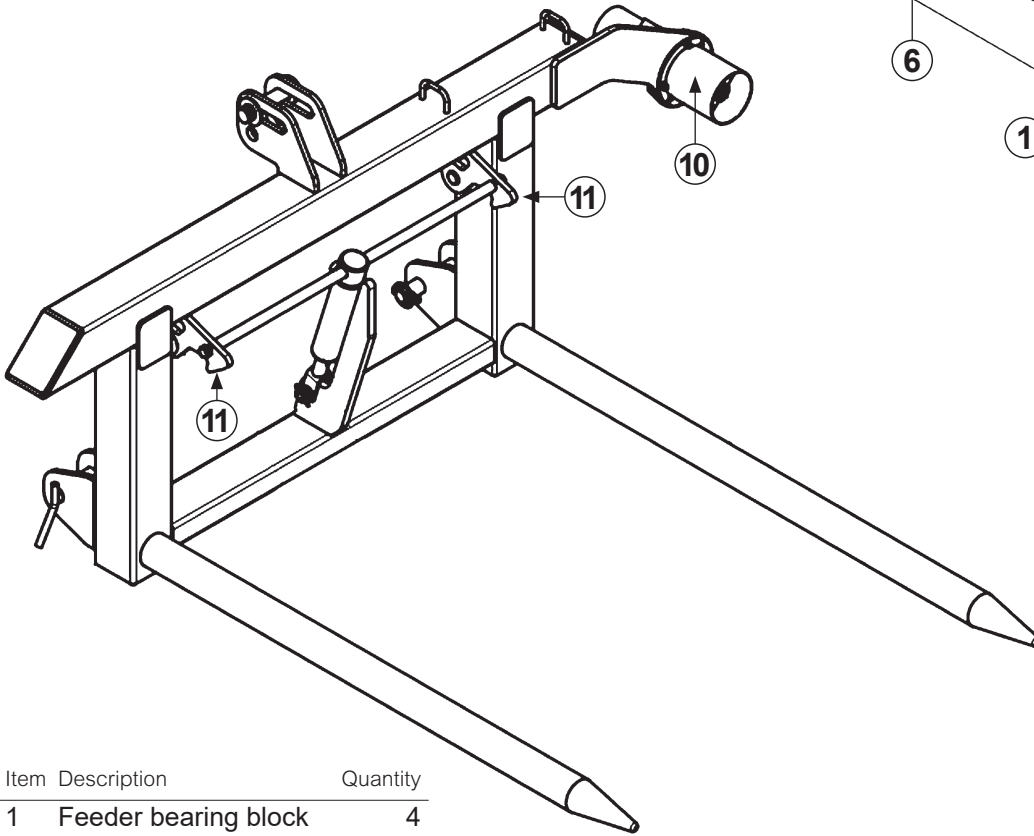
Parts for our original Boss models (ie drive pins), including our Trailed Feeders, are still available. Call or email for information.



FEEDER DRIVE



FEEDER IDLER



Item	Description	Quantity
1	Feeder bearing block	4
2	Vesconite bearing	4
3	Drive cog	1
4	Idler shaft	1
5	Drive shaft	1
6	Shaft cover	2
7	Steel sprocket	2
8	Cast sprocket	1
9	Drive dog	1
10	Drive dog guard	1
11	Catch assembly	1
12	Chain joiner (not shown)	2
13	M12 x 16 grub screws	4

Item	Description	Quantity
14	M12 x 30 hex set screw	8
15	M12 spring washer	8
16	M12 hex nut	8
17	M12 flat washer	8

